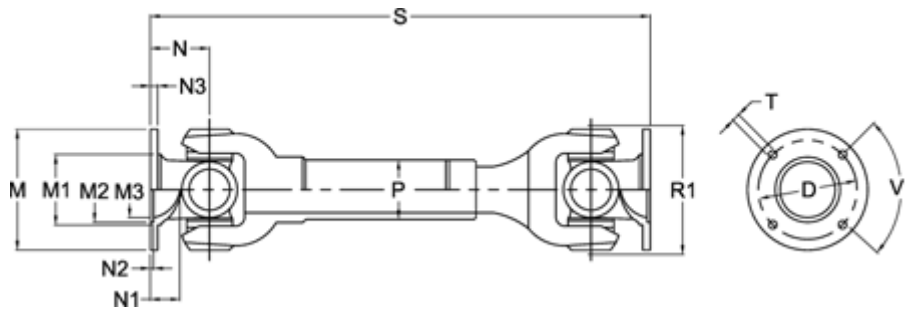


Data Sheet



Article number: 071131410450060
 Description: Cardan drive shaft 0.113.141.002
 S=450 X=60 Bore with keyway

Measures



D	= 130 +/-0,1	N1	= 27.5	T	= 10 B12
Extension X	= 60	N2	= 3 +/-0,5	V1 degrees	= 45
Flange diameter M	= 150	N3	= 9		
M1	= 104	Number of Flangeholes	= 8		
M2	= 90	P	= 70x4		
M3	= 80	R1	= 125		
Max. Bending Angle degrees	= 18	S min	= 450		
N	= 60	Spline dim. DIN 5480	= 50x2x24		